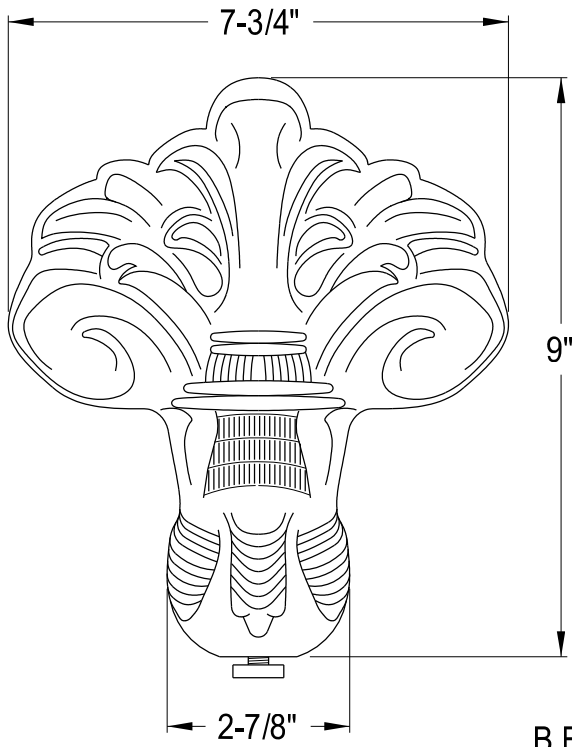
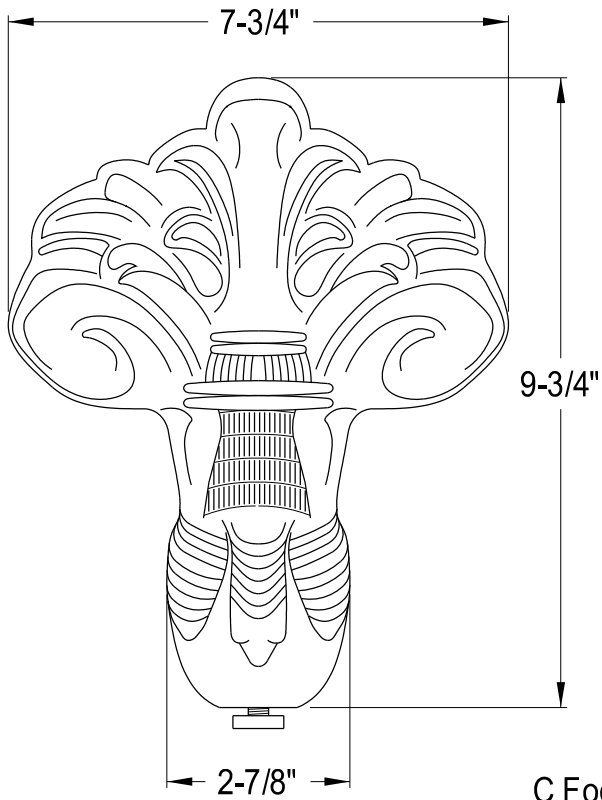
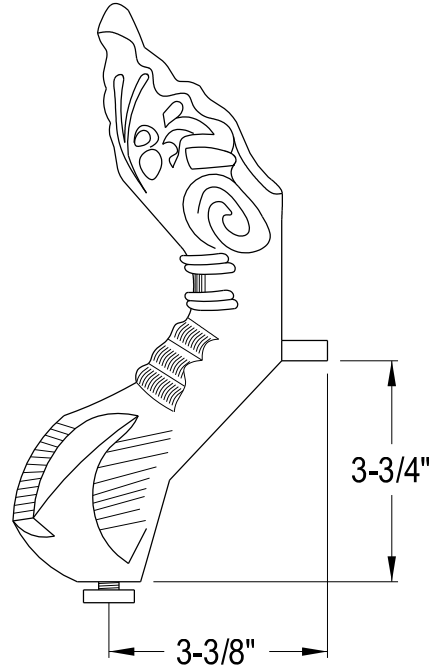


# VCTZB1,2,5,8,K,W

Bourbon Copper Foot B Type



B Foot



C Foot

